



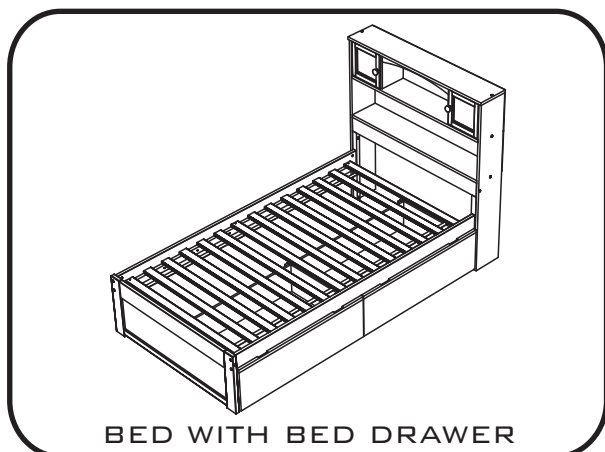
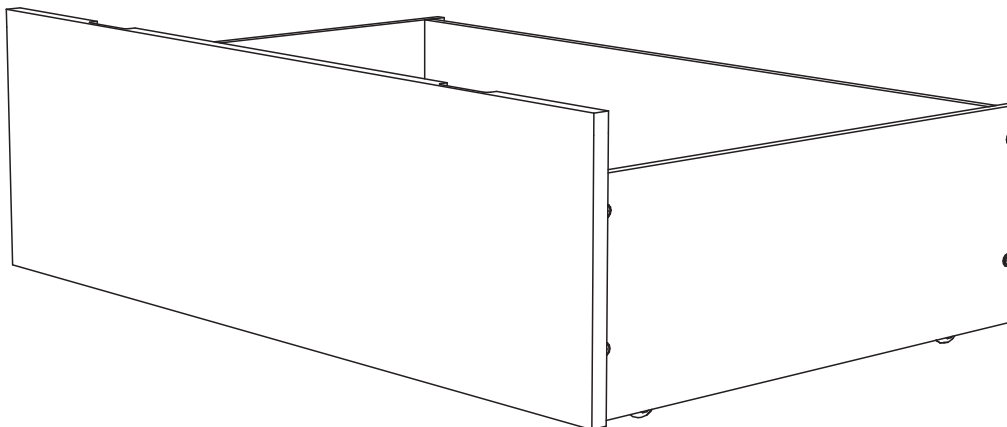
URBAN LIFESTYLE BED DRAWER

ATLANTIC
FURNITURE

ASSEMBLY INSTRUCTIONS

Before assembling your Drawer bed, please read through these instructions carefully. Familiarize yourself with the different parts.

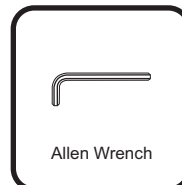
ATTENTION! If you receive a damaged or defective item, please contact Atlantic Furniture at service@atlanticfurniture.com 1-800-955-3726 / M-F 9:00-5:00 EST



BED WITH BED DRAWER



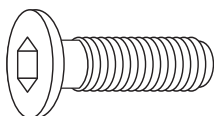
Adult Assembly



Allen Wrench

HARDWARE

NOTE: WE INCLUDE SPARE HARDWARE IN CASE THE ALLEN WRENCH OR JCB ARE DAMAGED DURING ASSEMBLY.



A JCB M6 X 1"(25mm) - 16 pcs
Spare - 2 pcs



B Allen Wrench - 1 pc
Spare - 1 pc

PARTS LIST

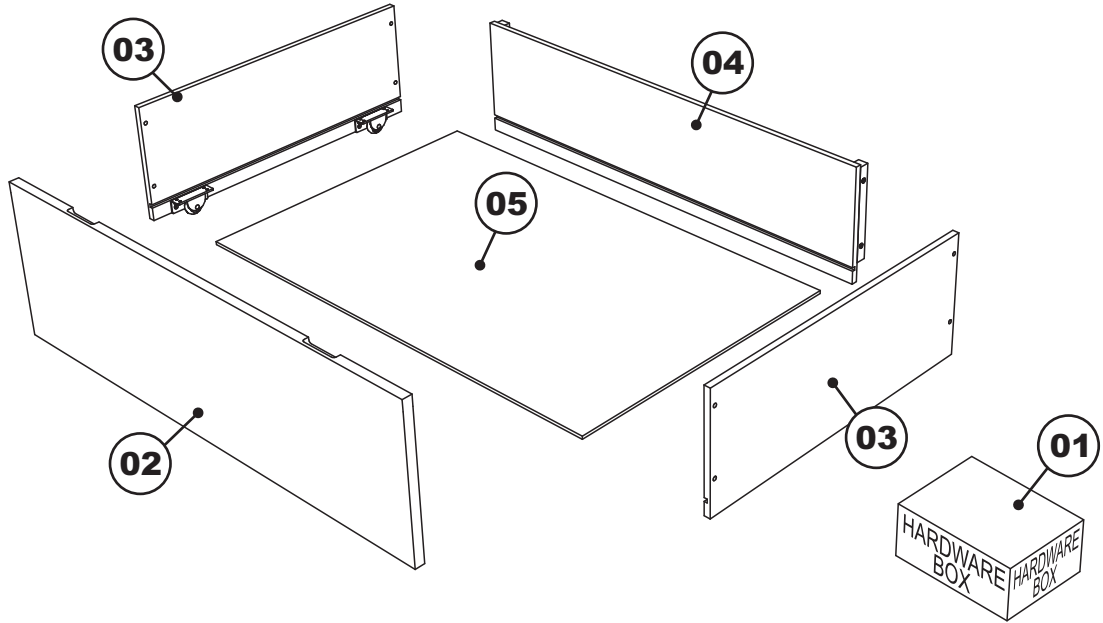
01 HARDWARE 1 BOX

02 DRAWER FACE 2 PCS

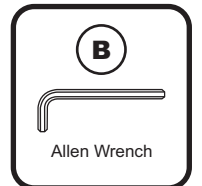
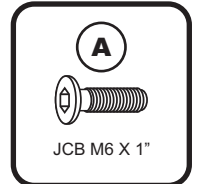
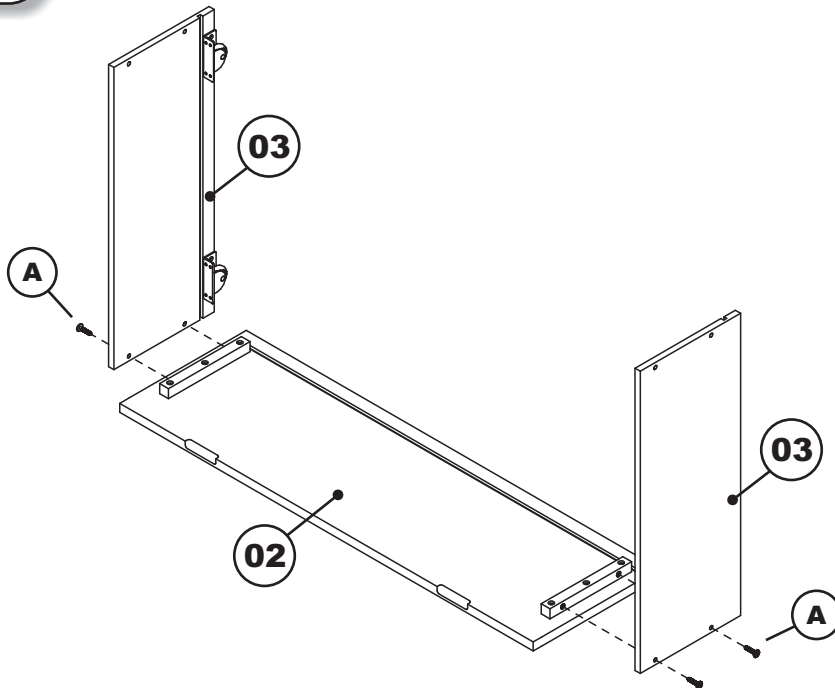
03 DRAWER SIDE 4 PCS

04 DRAWER BACK 2 PCS

05 DRAWER PANEL 2 PCS

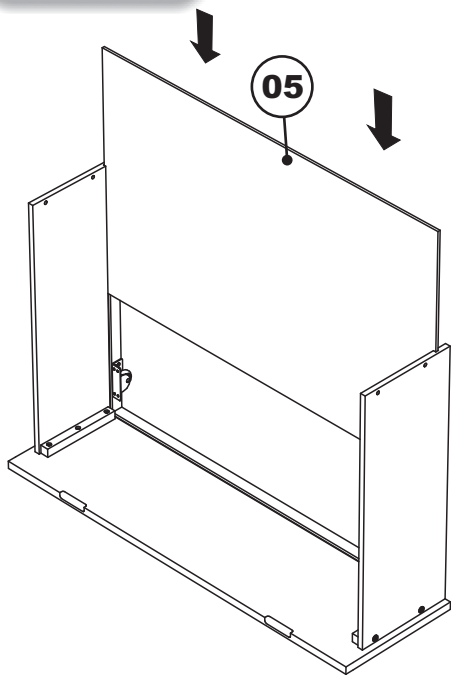


STEP 1



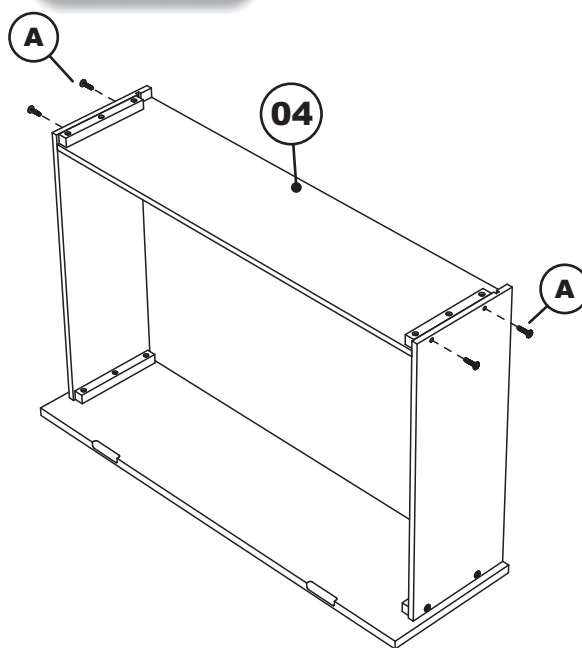
Lay the drawer face (02) on smooth, flat surface so the groove are facing upwards.
Fit the drawer side (03) to drawer face (02), Use JCB M6 X 1" (A),
Tighten with Allen wrench (B).

STEP 2



Guide the drawer panel (05) in carefully so that it won't jump out of its grooves. Be sure it fits fully into its groove at the bottom (in the drawer face) before fitting the drawer back.

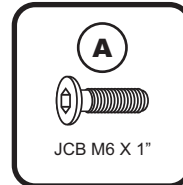
STEP 3



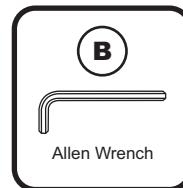
Attach drawer back (04) to bed drawer assembly as shown. Use JCB M6 X 1"(A). Tighten with Allen wrench (B).



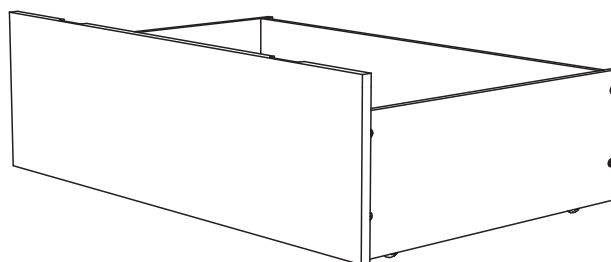
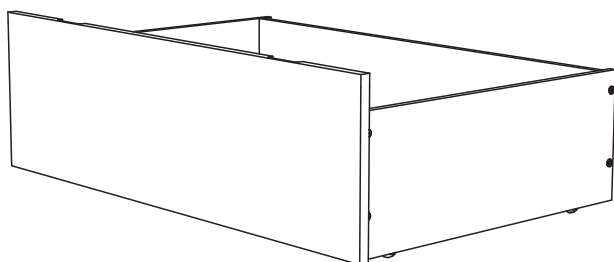
Adult Assembly



JCB M6 X 1"



Allen Wrench



Congratulations !

Your Urban lifestyle bed drawer is now ready for use.
We recommend that you recheck that all screws are tight